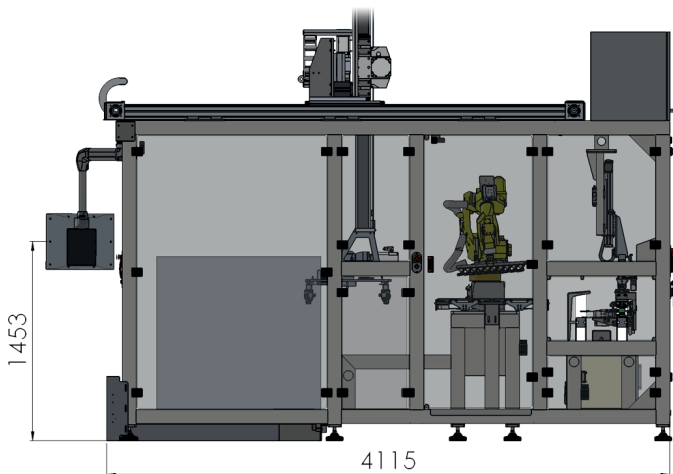
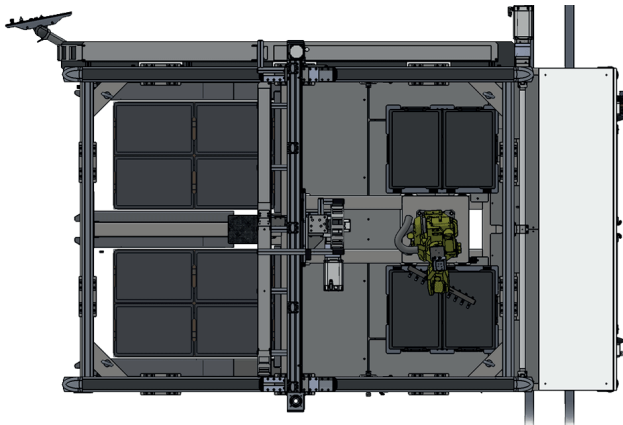
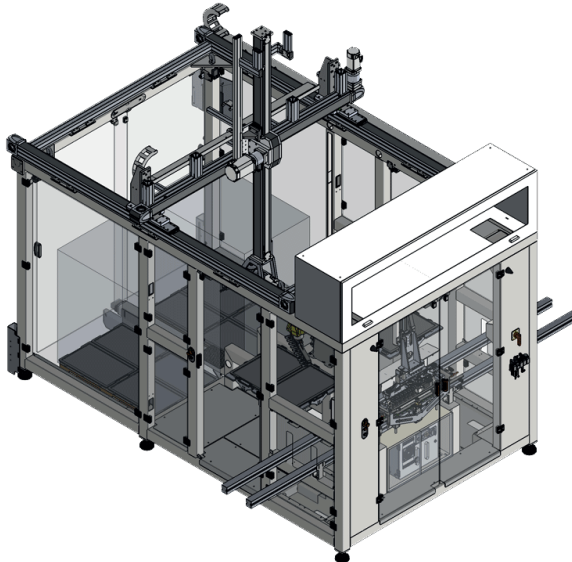




Standard machines

Manipulation of objects in thermoforms

For companies using products delivered in thermoformed plastic sheets we have developed a solution that **allows to benefit from this packing type**. We use this advantage to **speed up and simplify the packaging** of your final product. The analysis of sheet format allows us to define the position of the objects and to take them immediately from thermoformed sheets.



TECHNICAL CHARACTERISTICS

ROBOTS

Number of robots	2 - 5
Robot type	Cartesian / polyarticular
Speed rate	150 pieces per minute
Interface	Panel PC 18,53"
System login	RFID badge or password
Vision sensor	Cognex InSight
Illumination	TPL Vision

PICK & PLACE SYSTEM

Lifting mode	Vacuum cups
Number of objects per lift	up to 20
Object dimension	from 20 ml up to 5 l
Feeding	in thermoforms

COMPONENT PARTS

- Cartesian robot for manipulation of thermoformed parts
- Pucks inlet conveyor with screw
- Drop-off station
- Covering system
- Marking system
- Outlet conveyor
- Machine frame

POSSIBLE OPTIONS

- Screwing / unscrewing station
- Bottle blowing system

CHARACTERISTICS AND DIMENSIONS

Height	2,4 m
Length	3,5 - 4 m
Width	1,9 - 2,4 m
Weight	≈ 2 tons
Voltage	3x400+N
Power	3,5 kW
Pneumatic pressure	6 bar